

# 1700/1750 SERIES TRAINING ROOM TABLES

## FEATURES

- ✓ Tables are free standing for quick and easy rearrangement, giving maximum flexibility
- ✓ Available in fixed or adjustable heights
- ✓ Ganging capability, easily connected to each other in a straight line for a continuous work surface
- ✓ Connector tops of 90°, 60°, or 45°
- ✓ Modesty panels, that accommodate power and data wire management

## OPTIONAL ACCESSORIES

- ✓ Casters for mobility
- ✓ Floor mount, bolt-down bases
- ✓ Flip top mechanism, for condensed nesting storage
- ✓ Gallery panels
- ✓ Privacy panels
- ✓ Modesty panels, end filler panels
- ✓ CPU holders
- ✓ Keyboard trays
- ✓ Top access grommets
- ✓ Vertical wire management compartment
- ✓ Single or two circuit power outlet centers
- ✓ Power & data components

## SPECIFICATIONS

### TOPS

- 1½" thick
- H.P. plastic laminate surface
- Choice of edge treatments:
  - P.V.C. edge
  - Beveled edge with 3mm P.V.C.
  - Oak or maple edge
  - Poly-resin seamless edge

### BASE

- Columns are aluminum extrusion, in racetrack shape, 2" x 4¼", including two vertical channels for securing vertical wire managers and modesty panels

### LEG

- #1700 Series leg is constructed of 14 gauge 2" dia tubular steel with arced profile
- #1750 Series leg constructed of 14 gauge 2½" w 1¼" h half round formed steel with radiused end caps, includes interior reinforcement of ¾" thick solid bar stock
- Legs include concealed adjustable glides
- Top mounting plate is 12" x 6" x ¾" thick, secured to column with four bolts

### MODESTY PANEL

- 10" wide
- Constructed of extruded aluminum
- With built-in channels for accommodating wire management or data mounting brackets
- Includes open compartment, to store wire management cables

**TUFF-EDGE** INC.

108 Carnforth Road  
North York, Ontario  
M4A 2L4

T. 416.757.8201  
F. 416.757.4438  
Toll Free. 1.877.846.5854  
sales@tuff-edge.com

www.**TUFF-EDGE**.com

Printed in Canada  
DP 34160

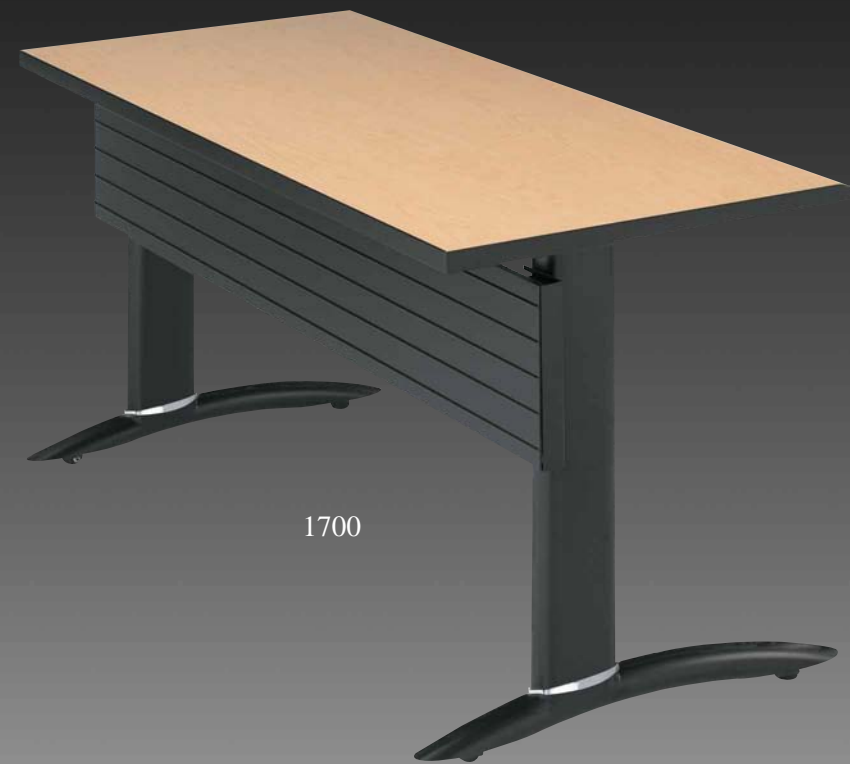
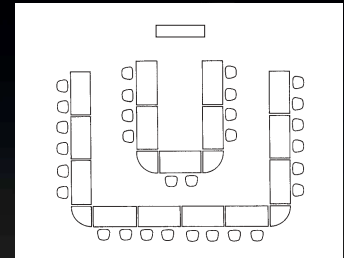
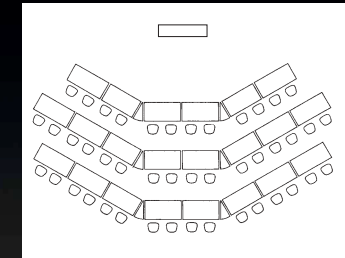
# 1700/1750 SERIES TRAINING ROOM TABLES

**1700/1750 Series** modular tables for training, seminar or lecture hall applications.

- With unlimited choices and options to address the special requirements and functions of each application.
- Choice of fixed or adjustable height bases, sizes, gallery panels, wire management, ganging and numerous other optional accessories.



Typical Configurations



1700



1750



1700  
Two tables ganged



1750  
Two tables ganged